



Stencil Storage Carts

STENCIL
STORAGE CARTS

AGI's line of Stencil Storage Carts are designed to accommodate all Stencil frame formats. Our molded ABS trays will not scratch or mark your stencil frames. We offer an optional Adjustable Shelf that can be easily repositioned to fit your smaller framed stencils.

The **290 Stencil Storage Cart** is designed to be a convenient work station positioned next to your in-line screen printer. This allows you to store up to (12) 29" x 29" tube framed stencils or (24+) Space Saver stencils needed for production. Our **290 Stencil Storage Cart** provides your operators an efficient work station to prep, clean and maintain your stencils and squeegees. It features a stainless steel work surface for easy clean up. With the optional Storage Shelf, you can organize all the accessories necessary for maintaining your stencils. This efficient use of space organizes the clutter commonly found near the screen printer.



290 Stencil Storage Cart



NEW Adjustable Feature Accommodates:

- DEK Vector Guard
- Fuji 23 3/4" x 29"
- Panasonic 550 x 600 & 1000 x 700

Note: When top shelf is adjusted down, for smaller frames, a storage shelf for solder paste and paper rolls is available.

294 Stencil Storage Cart

FEATURES and BENEFITS

- Adjustable shelves to accommodate all frames from 20" to 29" deep
- Molded trays from non-marring ABS
- Storage slots are 1 3/4" wide on 2 3/8" centers
- Rugged 1" Square box tube welded steel construction for stability
- Performa cushion-ride conductive swivel casters 5" diameter, with locks
- Baked epoxy painted textured finish Cream



295 Stencil Storage Cart



is designed to accommodate **24** stencil frames, 20" x 20" up to 29" x 29".

is designed to neatly and cost effectively store **50** stencil frames, 20" x 20" up to 29" x 29".

AGI Corporation

www.AGICorp.com - info@AGICorp.com

177 Nick Fitchard Road • Huntsville, AL 35806 • (256) 858-3300 • Fax: (256) 858-3304

Stencil Storage Carts - Vector Guard



295 VG Stencil Storage Cart

is designed to accommodate
240 Hanging Vector Guard Stencils

FEATURES and BENEFITS

- Adjustable rails to accommodate all frames from 20" to 29" deep
- Rugged 1" Square box tube welded steel construction for stability
- Performa cushion-ride conductive swivel casters 5" diameter, with locks
- Baked epoxy painted textured finish Cream

The Vector Guard Stencil Storage Cart is designed to easily store your hanging stencils.



294 VG Stencil Storage Cart

is designed to accommodate
110 Hanging Vector Guard Stencils

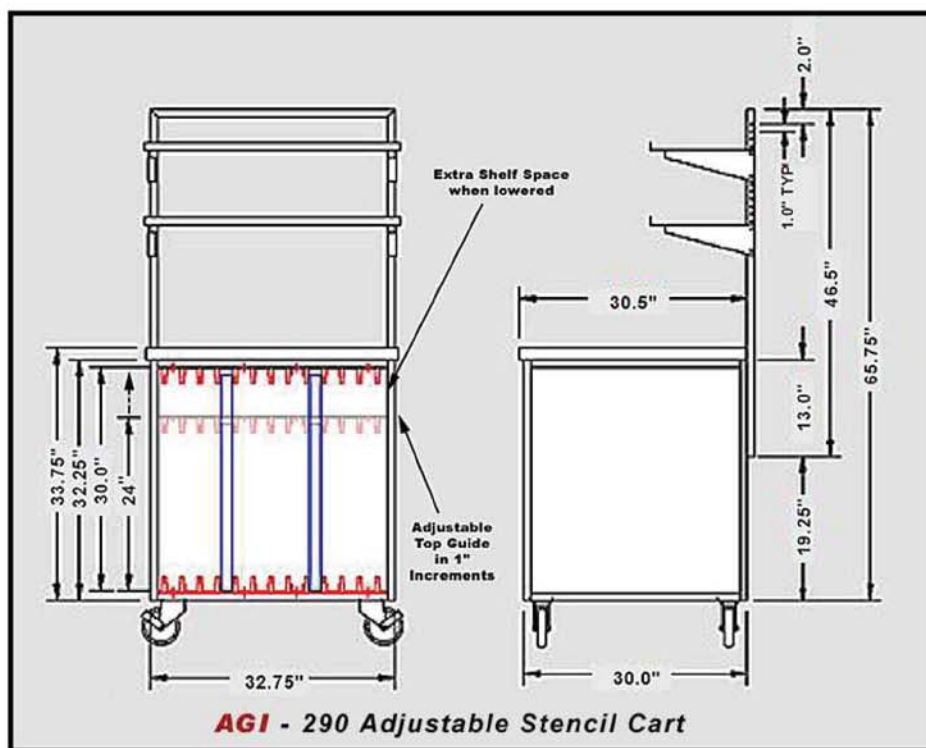
AGI Corporation

www.AGInc.com - info@AGInc.com

177 Nick Fitchard Road • Huntsville, AL 35806 • (256) 858-3300 • Fax: (256) 858-3304

Options For Stencil Storage Carts

50-00120	Optional Adjustable Weldment to accommodate DEK Vector Guard, Fujii and Panasonic Frames
50-00122	Optional Storage Shelves for 290 Stencil Cart - Two shelves, 15" x 31" with 3/4" lip. Shelves mounted with universal bracket for flat or 15° incline.
50-00119	Optional Three Painted Steel Side Panels, for 294 Cart
50-00121	Optional Three Painted Steel Side Panels for 295 cart.



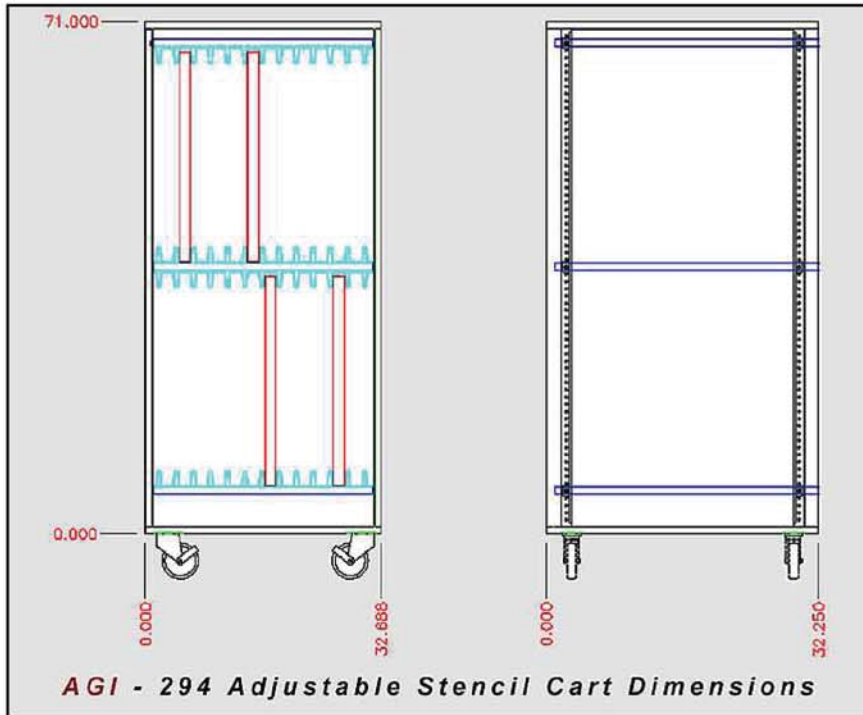
Optional Shelving Kit
for 290 Workstation

AGI Corporation

www.AGInc.com - info@AGInc.com

177 Nick Fitchard Road • Huntsville, AL 35806 • (256) 858-3300 • Fax: (256) 858-3304

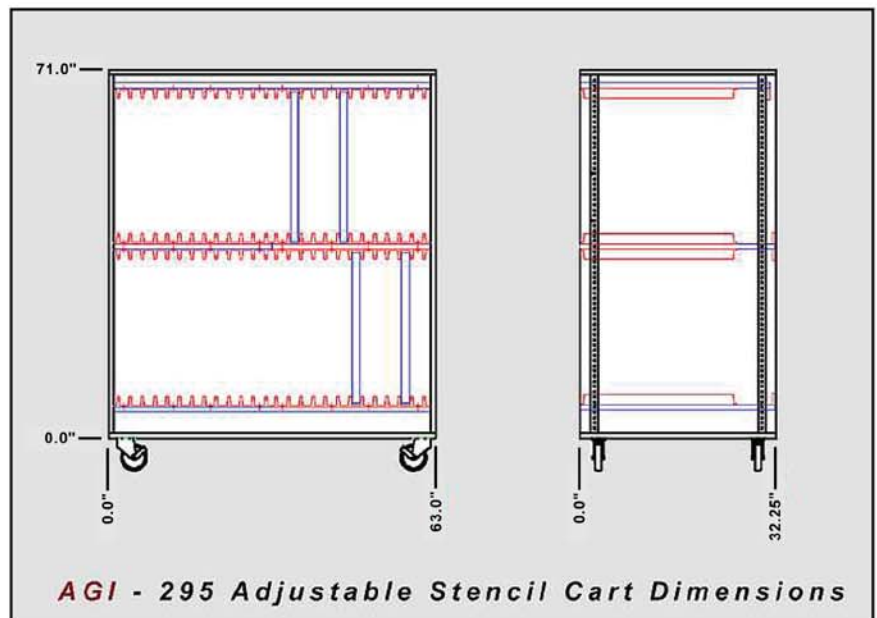
Stencil Storage Carts - Line Drawings



294 Cart Shown with Optional Side Panels



295 Cart Shown with Optional Side Panels



AGI Corporation

www.AGICorp.com - info@AGICorp.com

177 Nick Fitchard Road • Huntsville, AL 35806 • (256) 858-3300 • Fax: (256) 858-3304